

ProMax

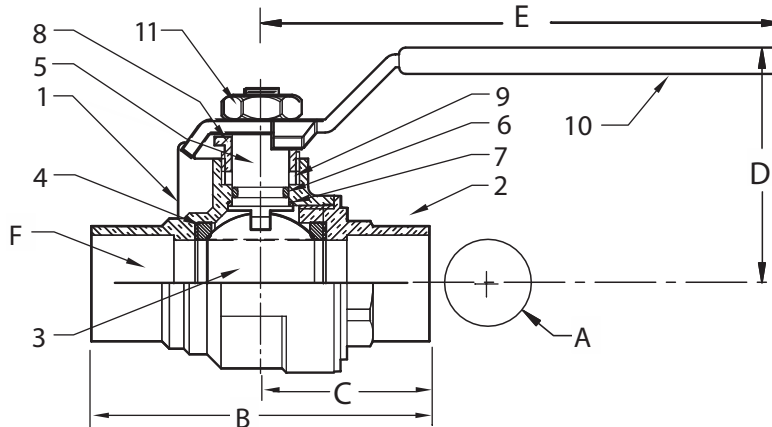
Brass Ball Valve For Potable Water Two-Piece, Full Port

PM11LF 1/2" - 2"

600 WOG Soldered Ends

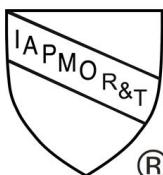
Dimensions and workmanship conform to MSS SP-110

Designed in accordance with the requirements of Senate Law S3874



MATERIALS LIST

ITEM	PART	MATERIALS	ASTM SPEC.
1	Body	Brass Forged	B283 C27450
2	Tailpiece	Brass Forged	B283 C27450
		Brass	B283 C27450
3	Ball	Brass w/ Chrome	B283 C69300 Chrome Plated
4	Ball Seal	PTFE	Commercial
5	Stem	Brass	B283 C69300
6	O-Ring	Buna-N	D2006
7	Thrust Washer	PTFE	Commercial
8	Gland Nut	Brass	B16
9	Packing	PTFE	Commercial
10	Handle	Zinc Plated Steel	Commercial
11	Handle Nut	Zinc Plated Steel	Commercial



Tested and Certified by IAPMO R&T to NSF/ANSI 61 and NSF/ANSI 372 for lead free compliance

DIMENSIONS

Valve Size	UNITS	1/2"	3/4"	1"	1-1/4"	1-1/2"	2"
A	INCHES	.50	.76	1.00	1.26	1.50	2.00
	mm	12.7	19.3	25.0	32.0	38.1	51.0
B	INCHES	2.28	3.1	3.56	4.13	4.64	5.75
	mm	58	79	90	105	118	146
C	INCHES	1.14	1.55	1.78	2.06	2.32	2.87
	mm	29	39	45	52	59	73
D	INCHES	1.46	1.93	2.10	2.33	2.52	2.96
	mm	37	49	53	59	64	75
E	INCHES	3.14	4.35	4.35	5.00	5.00	6.90
	mm	80	110	110	127	127	175
F	TUBE SIZE	.63	.88	1.13	1.38	1.63	2.13
Cv		18	40	72	112	161	287
TORQUE	in-lb	19	58	69	89	124	210
	N.m	2.1	6.5	7.8	10	14	24
WEIGHT	lbs	0.40	0.82	1.15	1.53	2.23	4.61
	Kg	.180	.370	.521	.696	1.012	2.092

Rev. 3

Note: Lead free refers to the wetted surface of the pipe, fittings and fixtures in potable water systems that have a weighted average lead content $\leq 0.25\%$. Source: California Health and Safety Code (116875).

The information presented on this sheet is correct at the time of publication. ProMax reserves the right to change design, dimensions and/or material specifications without notice. For the most current information, access www.promaxvalve.com. ProMax is a trademark of Milwaukee Valve Company.

© Milwaukee Valve Company, 2005