

# ProMax

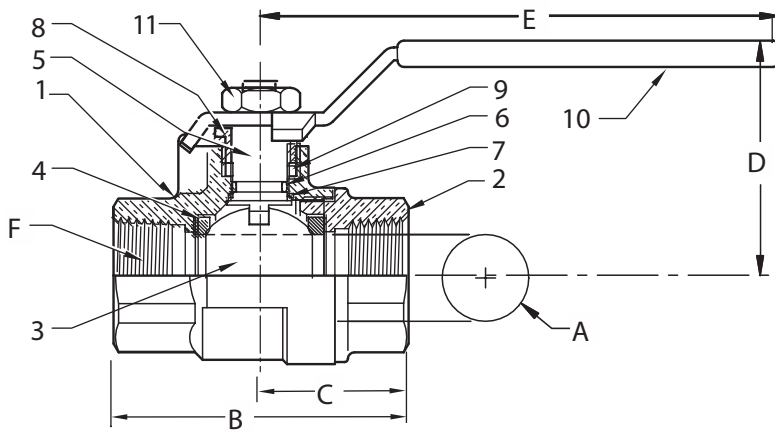
## Brass Ball Valve For Potable Water Two-Piece, Full Port

# PM01LF 1/4" - 2"

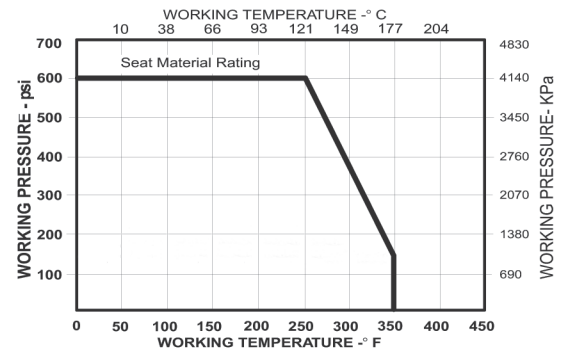
## 600 WOG Threaded Ends

Dimensions and workmanship conform to MSS SP-110  
ASME A112.4.14

Designed in accordance with the  
requirements of Senate Law S3874



### PRESSURE - TEMPERATURE DATA



VALVES RATED FOR VACUUM SERVICE TO 29 INCHES Hg.

### MATERIALS LIST

ITEM	PART	MATERIALS	ASTM SPEC.
1	Body	Brass, Forged	B283 C27450
2	Tailpiece	Brass, Forged	B283 C27450
3	Ball	Brass w/ Chrome	C27450
4	Ball Seal	PTFE	Commercial
5	Stem	Brass	C27450
6	O-Ring	Buna-N	D2006
7	Thrust Washer	PTFE	Commercial
8	Gland Nut	Brass	B16
9	Packing	PTFE	Commercial
10	Handle	Zinc Plated Steel	Commercial
11	Handle Nut	Zinc Plated Steel	Commercial

### DIMENSIONS

Valve Size	UNITS	1/4"	3/8"	1/2"	3/4"	1"	1-1/4"	1-1/2"	2"
A	INCHES	.39	.39	.51	.76	1.00	1.26	1.50	2.00
	mm	9.9	9.9	12.7	19.3	25.0	32.0	38.1	51.0
B	INCHES	1.87	1.87	2.25	2.62	3.06	3.5	3.75	4.38
	mm	47	47	57	67	78	89	95	111
C	INCHES	0.95	0.95	1.12	1.31	1.91	2.21	1.87	2.19
	mm	24	24	28	33	49	56	47	56
D	INCHES	1.42	1.42	1.46	1.93	2.10	2.33	2.52	2.96
	mm	36	36	37	49	53	59	64	75
E	INCHES	3.14	3.14	3.14	4.35	4.35	5.00	5.00	6.90
	mm	80	80	80	110	110	127	127	175
F	THREAD SIZE	1/4" NPT	3/8" NPT	1/2" NPT	3/4" NPT	1" NPT	1-1/4" NPT	1-1/2" NPT	2" NPT
Cv		12	12	18	40	72	112	161	287
TORQUE	in-lb	16	16	19	58	69	89	124	210
	N.m	1.8	1.8	2.1	6.5	7.8	10	14	24
WEIGHT	lbs	0.33	0.34	0.47	0.89	1.24	1.66	2.34	4.94
	Kg	.149	.155	.213	.403	.565	.755	1.064	2.245

Rev. 2

**Note:** Lead free refers to the wetted surface of the pipe, fittings and fixtures in potable water systems that have a weighted average lead content ≤0.25%. Source: California Health and Safety Code (116875).

The information presented on this sheet is correct at the time of publication. ProMax reserves the right to change design, dimensions and/or material specifications without notice. For the most current information, access [www.promaxvalve.com](http://www.promaxvalve.com). ProMax is a trademark of Milwaukee Valve Company.

© Milwaukee Valve Company, 2005



Tested and Certified by IAPMO R&T to NSF/ANSI 61 and NSF/ANSI 372 for lead free compliance.