



UPBA485B 1/2" - 3"



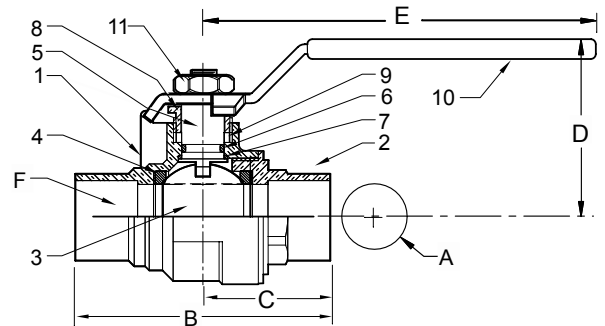
Brass Ball Valve For Potable Water
Two Piece
Full Port
600 psig WOG (1/2" - 2") 400 psig WOG (2 1/2" - 3")
Solder Ends

Blow-Out Proof Stem
Dimensions and Workmanship Conform to MSS SP-110

Also Available UPBA485B-LL

MATERIALS LIST

ITEM	PART	MATERIALS	ASTM SPEC.
1	Body	Brass, Forged	B283 C27450
2	Tailpiece	Brass, Forged	B283 C27450
		Brass	B283 C27450
3	Ball	Brass w/Chrome Plating	B283 C27450
4	Ball Seat	PTFE	Commercial
5	Stem	Brass	B283 C27450
6	O-Ring	Buna-N	D2006
7	Thrust Washer	PTFE	Commercial
8	Gland Nut	Brass	B16 C3600
9	Packing	PTFE	Commercial
10	Handle	Zinc Plated Steel	Commercial
11	Handle Nut	Zinc Plated Steel	Commercial



DIMENSIONS

	UNITS	1/2"	3/4"	1"	1-1/4"	1-1/2"	2"	2-1/2"	3"
	A	INCHES	0.50	0.76	1.00	1.26	1.50	2.00	2.48
	mm	13	19	25	32	38	51	63	75
B	INCHES	2.28	3.10	3.56	4.13	4.64	5.75	7.25	8.25
	mm	58	79	90	105	118	146	131	152
C	INCHES	1.14	1.55	1.78	2.06	2.32	2.87	3.62	4.12
	mm	29	39	45	52	59	73	92	105
D	INCHES	1.46	1.93	2.10	2.33	2.52	2.96	3.94	4.37
	mm	37	49	53	59	64	75	100	111
E	INCHES	3.14	4.35	4.53	5.00	5.00	6.90	7.87	7.87
	mm	80	110	110	127	127	175	200	200
F	TUBE SIZE	0.63	0.88	1.13	1.38	1.63	2.13	2.63	3.13
	Cv	18	40	72	112	161	287	307	323

Note: Lead free refers to the wetted surface of the pipe, fittings and fixtures in potable water systems that have a weighted average lead content $\leq 0.25\%$. Source: California Health and Safety Code (116875).

The information presented on this sheet is correct at time of publication. Milwaukee Valve reserves the right to change design and/or materials without notice. For our Installation, Operation and Maintenance Manual and the most current product information go to www.milwaukeevalve.com.

⚠ State of California Prop 65 **WARNING:** Cancer and Reproductive Harm. For more information visit www.p65warnings.ca.gov.



OPTIONS*

BA200/250
BA-475B/485B
BA480B/BA490B

XH Extension Handle

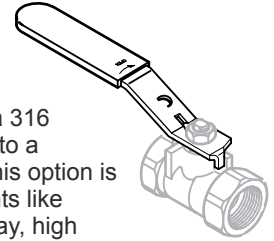
The "XH" stem extension is a simple and effective design. This option is designed for installations where pipe insulation would make standard handles inoperable.

BA480B/490B Series use
BA481B/491B



SH Stainless Steel Handle

The "SH" handle option adds a 316 stainless steel handle and nut to a standard bronze ball valve. This option is intended for harsh environments like areas subject to salt water spray, high humidity, harsh cleaning chemicals, etc.



MS Memory Stop

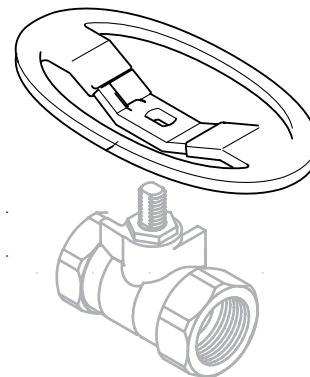
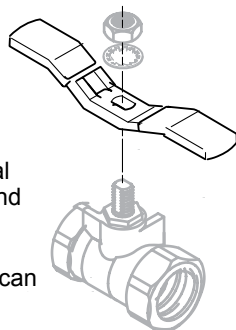
The "MS" Memory Stop provides an adjustable stop when the valve is used in a balancing application. The memory stop can be set to any preset opening point.

OH Oval Handle

Oval handles can be installed where a standard lever handle might encounter interference from adjoining piping. Oval handles can also prevent accidental valve operations, since they have less projection than a lever handle, and require more turning force to operate. The standard oval handle can be field or factory mounted on BA-200/BA-475B series valves up to 2".

TH Tee Handle

Tee handles offer the same installation space savings as oval handles, with a slightly shorter end to end dimension. Tee handles require more handle force to operate, so accidental openings can be reduced.



***Locking Lever Handle Is Available.**

The information presented on this sheet is correct at time of publication. Milwaukee Valve reserves the right to change design and/or materials without notice. For our Installation, Operation and Maintenance Manual and the most current product information go to www.milwaukeevalve.com.
⚠ State of California Prop 65 **WARNING:** Cancer and Reproductive Harm. For more information visit www.p65warnings.ca.gov.

