

# BA-500/BA-550\* 3/4"-1 1/4"

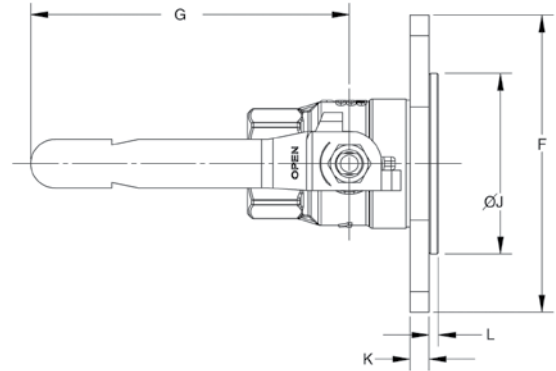
Brass Flange Ball Valve  
Two Piece • Full Port  
600 WOG

BA-500 Threaded Ends/ BA-550 Solder Ends  
Sold In Packages of 2  
Kit Includes 4 Bolts & Nuts, Plus T-Handle (1)  
Blow-Out Proof Stem  
MSS SP-110, ASME A112.4.14

\*Not intended for use in potable water.

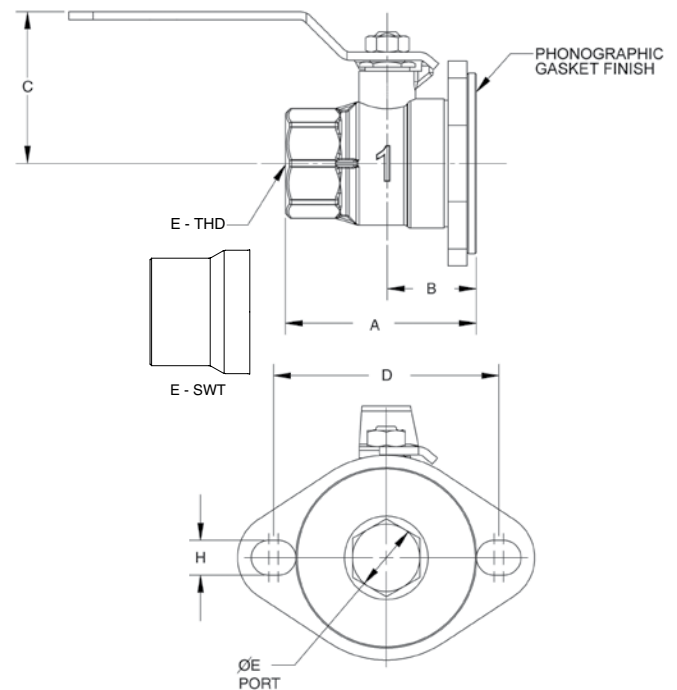
## MATERIALS LIST

ITEM	PART	MATERIALS	ASTM SPEC.
1	Body	Brass, Forged	B283
2	Tailpiece	Brass, Forged	B283
3	Ball	Brass with Nickel chrome Plating	B283
4	Ball Seal	PTFE	Commercial
5	Stem	Brass	B124
6	O-Ring	Buna-N	D2006
7	Thrust Washer	PTFE	Commercial
8	Gland Nut	Brass	B124
9	Packing	PTFE	Commercial
10	Handle	Zinc Plated Steel	Commercial
11	Hand Grip	Zinc Plated Steel	Commercial



## DIMENSIONS

	UNITS	3/4" DN20	1" DN25	1-1/4" DN32
A	INCHES	2.50	2.81	2.99
	O.V.L./THD	mm	64	71
A	INCHES	2.69	3.13	3.38
	O.V.L./SWT	mm	68	80
B	INCHES	1.24	1.32	1.32
	mm	31	34	34
C	INCHES	1.95	2.12	2.31
	mm	50	54	59
D	INCHES	3.29	3.29	3.29
	mm	84	84	84
E	INCHES	0.75	1.00	1.25
	PORT DIA.	mm	19	25
F	INCHES	4.33	4.33	4.33
	FLANGE DIA.	mm	110	110
G	INCHES	4.72	4.72	4.72
	mm	120	120	120
H	INCHES	0.51	0.51	0.51
	MTG. HOLE	mm	13	13
J	INCHES	2.67	2.67	2.67
	mm	68	68	68
K	INCHES	0.28	0.28	0.28
	mm	7	7	7
L	INCHES	0.14	0.14	0.14
	mm	4	4	4



The information presented on this sheet is correct at time of publication. Milwaukee Valve reserves the right to change design and/or materials without notice. For our Installation, Operation and Maintenance Manual and the most current product information go to [www.milwaukeevalve.com](http://www.milwaukeevalve.com).  
⚠ State of California Prop 65 **WARNING:** Cancer and Reproductive Harm. For more information visit [www.p65warnings.ca.gov](http://www.p65warnings.ca.gov).

