

# “BA-475B”\* 1/4”-4”

Brass Ball Valve

Two Piece

Full Port

600 WOG (1/4”-3”) 400 WOG (4”)

Threaded Ends

Blow-Out Proof Stem

MSS SP-110, ASME A112.4.14



1/4” through 2” Only

\*Not intended for use in potable water.

## MATERIALS LIST

ITEM	PART	MATERIALS	ASTM SPEC.
1	Body	Brass, Forged	B283
2	Tailpiece	Brass, Forged	B283
3	Ball	CP Brass (3/8" - 1 1/4")	B283
		CP Brass, Cast (1 1/2" - 4")	B584
4	Ball Seal	PTFE	Commercial
5	Stem	Brass	B124
6	O-Ring	Buna-N	D2006
7	Thrust Washer	PTFE	Commercial
8	Gland Nut	Brass	B16
9	Packing	PTFE	Commercial
10	Handle	Zinc Plated Steel	Commercial
11	Handle Nut	Zinc Plated Steel	Commercial
****12	Body Seal	PTFE	Commercial

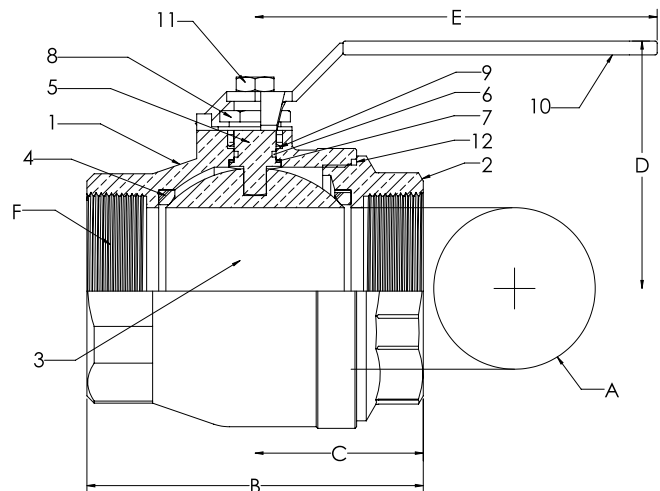
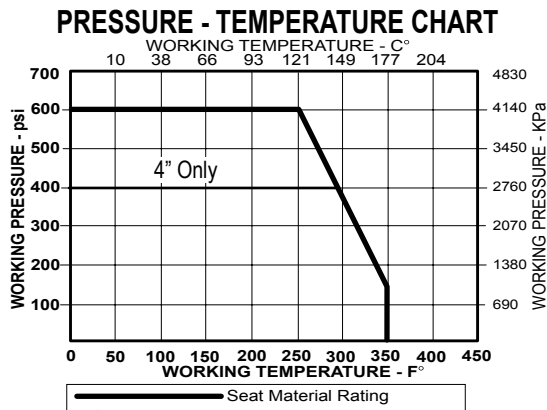
\*Also Available BA-475B-LL

(Locks only in closed position)

\*\* Not Suitable For Ammonia Service

\*\*\*Not intended for use in potable water.

\*\*\*\*4” Valve Only



## DIMENSIONS

	UNITS	1/4”	3/8”	1/2”	3/4”	1”	1-1/4”	1-1/2”	2”	2-1/2”	3”	4”
		INCHES	0.39	0.39	0.51	0.76	1.00	1.26	1.50	2.00	2.48	2.95
A (DIA)	mm	10	10	13	19	25	32	38	51	63	75	100
	INCHES	1.87	1.87	2.25	2.62	3.06	3.50	3.75	4.38	5.16	6.00	8.20
B	mm	47	47	57	67	78	89	95	111	131	152	208
	INCHES	0.95	0.95	1.12	1.31	1.91	2.21	1.87	2.19	2.58	3.00	4.11
C	mm	24	24	28	33	49	56	47	56	66	76	104
	INCHES	1.42	1.42	1.46	1.93	2.10	2.33	2.52	2.96	3.94	4.37	5.93
D	mm	36	36	37	49	53	59	64	75	100	111	151
	INCHES	3.14	3.14	3.14	4.35	4.35	5.00	5.00	6.90	7.87	7.87	9.65
E	mm	80	80	80	110	110	127	127	175	200	200	245
	INCHES	1/4”	3/8”	1/2”	3/4”	1”	1-1/4”	1-1/2”	2”	2-2/1”	3”	4”
F	THREAD SIZE	NPT	NPT	NPT	NPT	NPT	NPT	NPT	NPT	NPT	NPT	NPT
Cv		12	12	18	40	72	112	161	287	307	323	584

The information presented on this sheet is correct at time of publication. Milwaukee Valve reserves the right to change design and/or materials without notice. For our Installation, Operation and Maintenance Manual and the most current product information go to [www.milwaukeevalve.com](http://www.milwaukeevalve.com).

⚠ State of California Prop 65 **WARNING:** Cancer and Reproductive Harm. For more information visit [www.p65warnings.ca.gov](http://www.p65warnings.ca.gov).



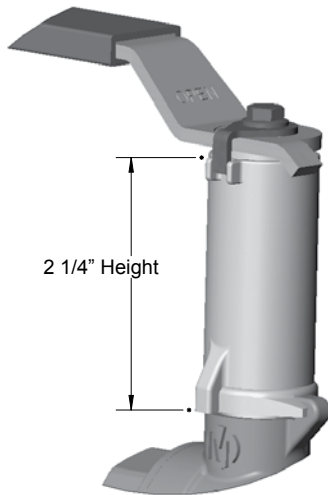
# OPTIONS\*

BA200/250  
BA-475B/485B  
BA480B/BA490B

## XH Extension Handle

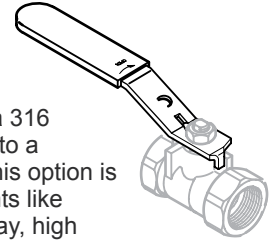
The "XH" stem extension is a simple and effective design. This option is designed for installations where pipe insulation would make standard handles inoperable.

BA480B/490B Series use  
BA481B/491B



## SH Stainless Steel Handle

The "SH" handle option adds a 316 stainless steel handle and nut to a standard bronze ball valve. This option is intended for harsh environments like areas subject to salt water spray, high humidity, harsh cleaning chemicals, etc.



## MS Memory Stop

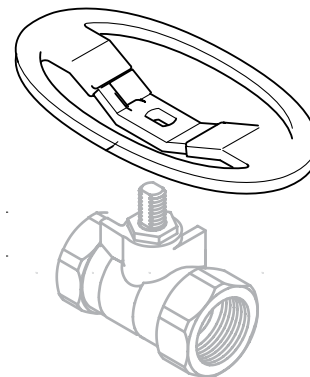
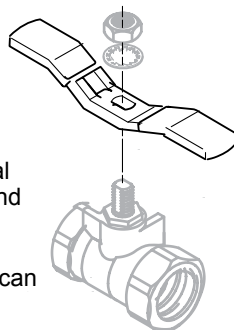
The "MS" Memory Stop provides an adjustable stop when the valve is used in a balancing application. The memory stop can be set to any preset opening point.

## OH Oval Handle

Oval handles can be installed where a standard lever handle might encounter interference from adjoining piping. Oval handles can also prevent accidental valve operations, since they have less projection than a lever handle, and require more turning force to operate. The standard oval handle can be field or factory mounted on BA-200/BA-475B series valves up to 2".

## TH Tee Handle

Tee handles offer the same installation space savings as oval handles, with a slightly shorter end to end dimension. Tee handles require more handle force to operate, so accidental openings can be reduced.



**\*Locking Lever Handle Is Available.**

The information presented on this sheet is correct at time of publication. Milwaukee Valve reserves the right to change design and/or materials without notice. For our Installation, Operation and Maintenance Manual and the most current product information go to [www.milwaukeevalve.com](http://www.milwaukeevalve.com).  
⚠ State of California Prop 65 **WARNING:** Cancer and Reproductive Harm. For more information visit [www.p65warnings.ca.gov](http://www.p65warnings.ca.gov).

