

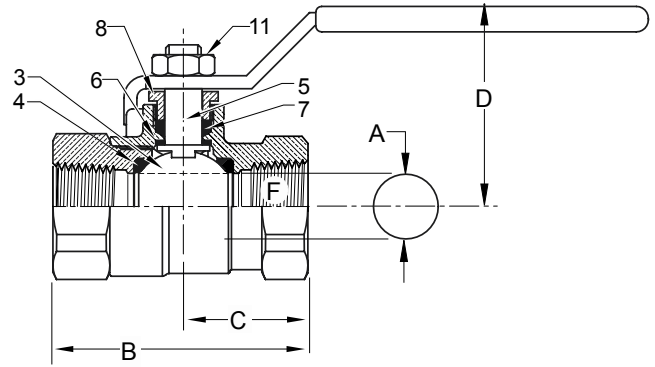
# BA-400S3\* 1/2"-2"

**Bronze Ball Valve  
Two Piece  
Full Port  
600 WOG/250 SWP  
Threaded Ends  
Blow-Out Proof Stem  
MSS SP-110**

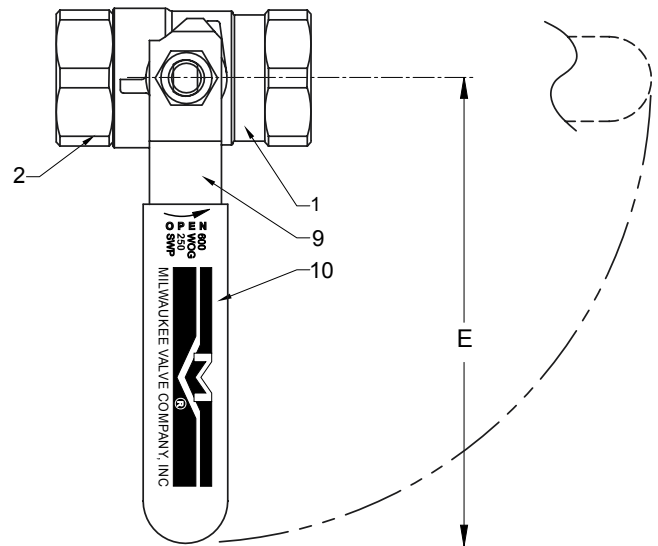
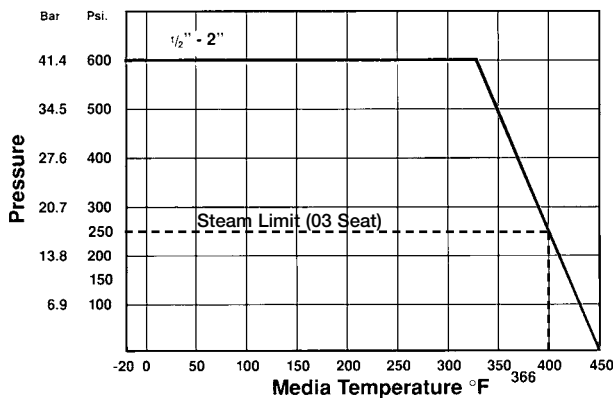
## MATERIALS LIST

ITEM	PART	MATERIALS	ASTM SPEC.
1	Body	Cast Bronze	B584
2	Tailpiece	Brass	B283
		Cast Bronze (1 1/4" & up)	B584
3	Ball	316 Stainless Steel	A276
4	Seat	Multi-Fill PTFE	
5	Stem	Brass	B16
		316 Stainless Steel	A276
6	Thrust Washer	Multi-Fill PTFE	
7	Packing	PTFE	
8	Packing Nut	Brass	B16
9	Handle	Steel w/Zinc Plating	Commercial
10	Hand Grip	Vinyl	Commercial
11	Handle Nut	Steel w/Zinc Plating	Commercial

\*Not intended for use in potable water.



## PRESSURE/TEMPERATURE RATINGS



## DIMENSIONS

	UNITS	1/2" DN15	3/4" DN20	1" DM25	1-1/4" DM32	1-1/2" DN40	2" DN50
A (DIA)	INCHES	0.50	0.76	1.06	1.31	1.56	2.00
	mm	13	19	27	33	40	51
B	INCHES	2.19	2.59	3.32	3.77	4.28	5.10
	mm	54	66	84	96	109	130
C	INCHES	1.10	1.30	1.59	1.81	2.06	2.37
	mm	27	33	40	46	52	60
D	INCHES	1.91	2.32	2.68	2.82	3.00	3.36
	mm	47	59	68	72	76	85
E	INCHES	3.82	4.55	6.33	6.33	6.33	7.19
	mm	94	116	161	161	161	183
F	THREAD SIZE	1/2" NPT	3/4" NPT	1" NPT	1-1/4" NPT	1-1/2" NPT	2" NPT
Cv		13	30	61	110	185	360

Note: DN (Diameter Nominal) = Metric equivalent size.

The information presented on this sheet is correct at time of publication. Milwaukee Valve reserves the right to change design and/or materials without notice. For our Installation, Operation and Maintenance Manual and the most current product information go to [www.milwaukeevalve.com](http://www.milwaukeevalve.com).  
 ⚠ State of California Prop 65 **WARNING:** Cancer and Reproductive Harm. For more information visit [www.p65warnings.ca.gov](http://www.p65warnings.ca.gov).

