

BA-300SB/300SBS** 3/4"-2"

Bronze Ball Valve*
Three Piece
Full Port
600 WOG/150 SWP (1)
Silbraze Ends
Blow-Out Proof Stem
MSS SP-110**

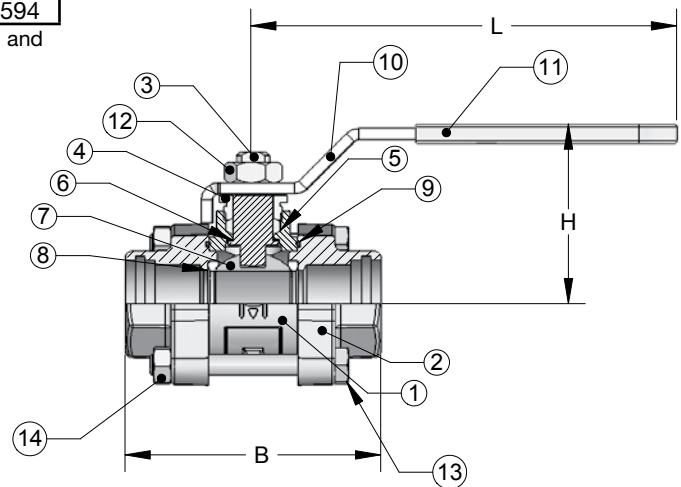
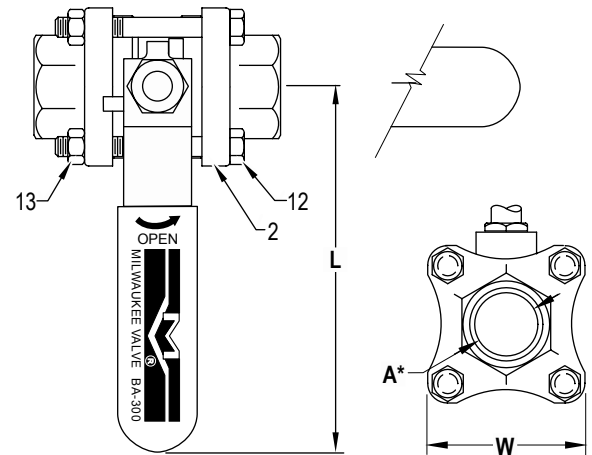
MATERIALS LIST

ITEM	PART	MATERIALS	ASTM SPEC.
1	Body	Cast Bronze	ASTM B61/ B62
2	End Cap	Cast Bronze	ASTM B61/ B62
3	Stem	316 Stainless Steel	ASTM A276
4	Packing	PTFE	
5	Packing Nut	Brass	ASTM B16
6	Thrust Washer	RPTFE 25% Glass Reinforced	
7	Ball	Stainless Steel	ASTM A276
8	Seat	RPTFE 15% Glass Reinforced	
9	O-ring	Viton®	Commercial
10	Handle	Stainless Steel	Commercial
11	Handle Grip	Vinyl	
12	Handle Nut	Stainless Steel	Commercial
13	Bolt	Stainless Steel Type 304	ASTM F593
14	Nut	Stainless Steel Type 304	ASTM F594

(1) Milwaukee Valve Company recommends the use of Stainless Steel ball and stem for steam applications. Please consult factory for more information.
(2) Ball and stem are stainless for 300SBS

** Pressure temperature charts contain valve seat and body ratings for standard valves using normal solder installation techniques. Solder end valves are de-rated by the limitations of the joint as specified in ASME 16.18. Brazing installations can have the same effect on the valve rating. Consult ASME 16.18 and the American Welding Society for the actual joint ratings of the material being used for the specific application.

*Not intended for use in potable water.



DIMENSIONS

	UNITS	1/4" DN6	3/8" DN10	1/2" DN15	3/4" DN20	1" DN25	1-1/4" DN32	1-1/2" DN40	2" DN50
A	INCHES	0.50	0.50	0.50	0.75	1.00	1.25	1.50	2.00
	mm	13	13	13	19	25	32	38	51
B	INCHES	3.03	3.03	3.03	3.56	3.82	4.86	5.06	6.00
	mm	77	77	77	90	97	123	129	152
H	INCHES	1.65	1.65	1.65	2.24	2.65	2.86	3.03	3.26
	mm	42	42	42	57	67	73	77	83
L	INCHES	4.03	4.03	4.06	4.58	6.30	6.32	7.20	7.20
	mm	102	102	103	116	160	161	183	183
W	INCHES	1.95	1.95	1.95	2.19	2.48	3.00	3.13	3.78
	mm	50	50	50	56	63	76	80	96
F	THREAD SIZE	1/4" NPT	3/8" NPT	1/2" NPT	3/4" NPT	1" NPT	1 1/4" NPT	1 1/2" NPT	2" NPT
Cv		7	7	17	31	60	110	185	360

Note: DN (Diameter Nominal) = Metric equivalent size.

The information presented on this sheet is correct at time of publication. Milwaukee Valve reserves the right to change design and/or materials without notice. For our Installation, Operation and Maintenance Manual and the most current product information go to www.milwaukeevalve.com.
⚠ State of California Prop 65 **WARNING:** Cancer and Reproductive Harm. For more information visit www.p65warnings.ca.gov.

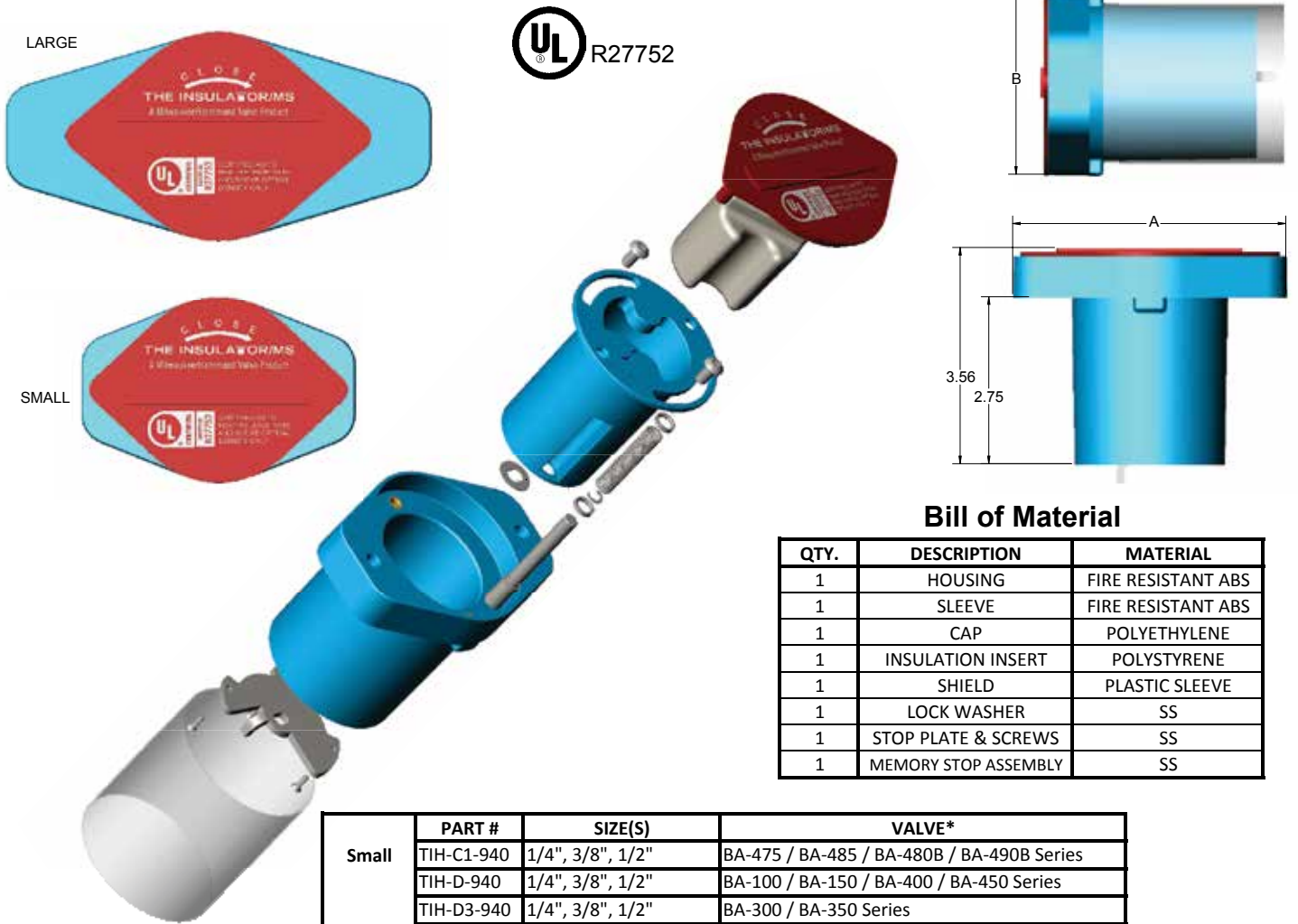


THE INSULATOR/MS

Bronze & Brass Ball Valves

Milwaukee Valve's insulated extension handle is designed to prevent condensation and other extraneous moisture from entering your insulated piping system, while also minimizing thermal energy loss from the system via metal extension tubes, levers, and similar parts.

Our handle design incorporates a unique memory stop feature that requires no disassembly or removal of the handle to engage and make adjustments.



Bill of Material

QTY.	DESCRIPTION	MATERIAL
1	HOUSING	FIRE RESISTANT ABS
1	SLEEVE	FIRE RESISTANT ABS
1	CAP	POLYETHYLENE
1	INSULATION INSERT	POLYSTYRENE
1	SHIELD	PLASTIC SLEEVE
1	LOCK WASHER	SS
1	STOP PLATE & SCREWS	SS
1	MEMORY STOP ASSEMBLY	SS

	PART #	SIZE(S)	VALVE*
Small	TIH-C1-940	1/4", 3/8", 1/2"	BA-475 / BA-485 / BA-480B / BA-490B Series
	TIH-D-940	1/4", 3/8", 1/2"	BA-100 / BA-150 / BA-400 / BA-450 Series
	TIH-D3-940	1/4", 3/8", 1/2"	BA-300 / BA-350 Series
A - 4.50	TIH-F-940	1"	BA-100 / BA-150 Series
		3/4"	BA-100 / BA-150 / BA-400 / BA-450 Series
	TIH-F3-940	3/4"	BA-300 / BA-350 Series
B - 3.06	TIH-H1-940	3/4", 1", 1 1/4", 1 1/2"	BA-475 / BA-485 / BA-480B / BA-490B Series
Large	TIH-J-940	2"	BA-100 / BA-150 Series
		1 1/4", 1 1/2"	BA-100 / BA-150/BA-400 / BA-450 Series
		1"	BA-400 / BA-450 Series
A - 7.00	TIH-J1-940	2"	BA-475 / BA-485 / BA-480B / BA-490B Series
	TIH-J3-940	1", 1 1/4", 1 1/2"	BA-300 / BA-350 Series
	TIH-K-940	2"	BA-400 / BA-450 Series
B - 3.44	TIH-K3-940	2"	BA-300 / BA-350 Series

To order factory assembled to the valve use suffix TIH
 TIH handle is rated to 275°F. Installation of Solder end valves with the TIH installed: slide the plastic sleeve up to avoid contact with the valve body, wrap the TIH handle with a damp cloth to protect and draw heat away while directing the flame away from the center of the valve during heating.
 *Will fit our equivalent Ultrapure Low Lead Valves.

The information presented on this sheet is correct at time of publication. Milwaukee Valve reserves the right to change design and/or materials without notice. For our Installation, Operation and Maintenance Manual and the most current product information go to www.milwaukeevalve.com.
 ⚠ State of California Prop 65 **WARNING:** Cancer and Reproductive Harm. For more information visit www.p65warnings.ca.gov.

