

BA-300/300S* 1/4"-3"

**Bronze Ball Valve
Three Piece
Full Port
600 WOG/150 SWP (1)
Threaded Ends
Blow-Out Proof Stem
MSS SP-110**

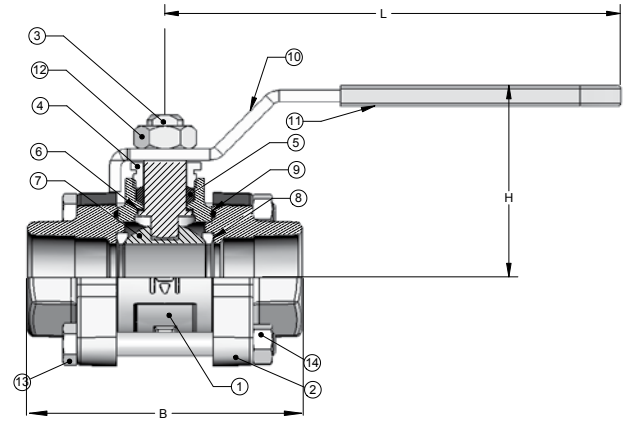
MATERIALS LIST

ITEM	PART	MATERIALS	ASTM SPEC.
1	Body	Cast Bronze	B584
2	End Cap	Bronze	B584
3	Stem	Brass	B16
		316 Stainless Steel (2)	A276
4	Packing Nut	Brass	B16
5	Packing	PTFE	
6	Thrust Washer	RPTFE, 25% Glass Filled	
7	Ball	CP Brass	B283
		316 Stainless Steel (2)	A276
8	Seat	RPTFE, 15% Glass Filled	
9	O-Ring	Viton	Commercial
10	Handle	Steel w/Zinc Plating	Commercial
11	Handle Grip	Vinyl	Commercial
12	Handle Nut	Steel w/Zinc Plating	Commercial
13	Bolt	Steel w/Zinc Plating	Commercial
14	Nut	Steel w/Zinc Plating	Commercial

(1) Milwaukee Valve Company recommends the use of Stainless Steel ball and stem for steam applications. Please consult factory for more information.

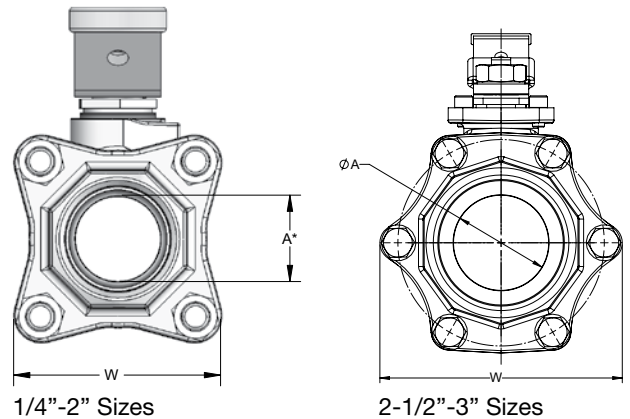
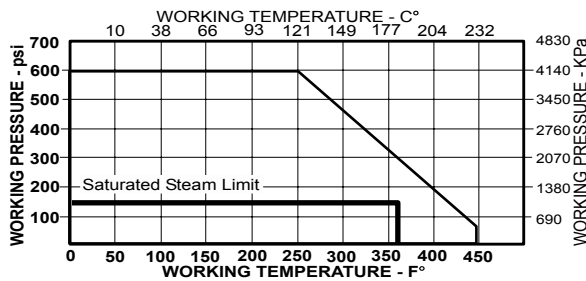
(2) Ball and stem are stainless for BA300S

*Not intended for use in potable water.



PRESSURE and TEMPERATURE CHART

VALVES RATED FOR VACUUM SERVICE TO 29 INCHES Hg.



DIMENSIONS

	UNITS	1/4" DN6	3/8" DN10	1/2" DN15	3/4" DN20	1" DN25	1-1/4" DN32	1-1/2" DN40	2" DN50	2-1/2" DN 65	3" * DN 80
A	INCHES	0.38	0.45	0.50	0.75	1.00	1.25	1.50	2.00	2.50	2.50
	mm	10	11	13	19	25	32	38	51	64	64
B	INCHES	2.68	2.68	3.03	3.56	3.82	4.86	5.06	5.90	7.00	7.00
	mm	68	68	77	90	97	123	129	150	178	178
H	INCHES	1.85	1.85	1.85	2.20	2.65	2.79	2.97	3.47	5.44	5.44
	mm	47	47	47	56	67	71	75	88	138	138
L	INCHES	4.03	4.03	4.06	4.58	6.30	6.32	7.20	7.20	8.00	8.00
	mm	102	102	103	116	160	161	183	183	203	203
W	INCHES	1.95	1.95	1.95	2.19	2.48	3.00	3.13	3.78	6.25	6.25
	mm	50	50	50	56	63	76	80	96	159	159
F	THREAD SIZE	1/4" NPT	3/8" NPT	1/2" NPT	3/4" NPT	1" NPT	1-1/4" NPT	1-1/2" NPT	2" NPT	2-1/2" NPT	3" NPT
Cv		7	7	17	31	60	110	185	360	390	390

Note: DN (Diameter Nominal) = Metric equivalent size.

* 3" is Standard Port.

The information presented on this sheet is correct at time of publication. Milwaukee Valve reserves the right to change design and/or materials without notice. For our Installation, Operation and Maintenance Manual and the most current product information go to www.milwaukeevalve.com.

⚠ State of California Prop 65 **WARNING:** Cancer and Reproductive Harm. For more information visit www.p65warnings.ca.gov.

