

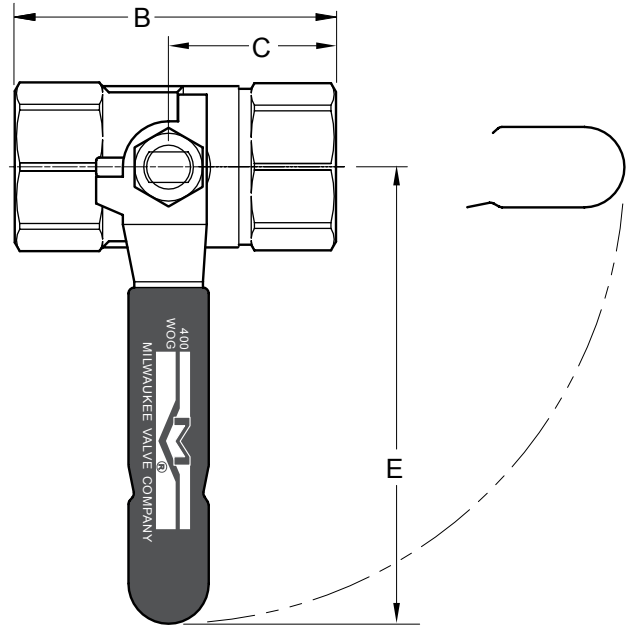
# BA-200\* 1/4"-4"

Brass Ball Valve  
Two Piece  
Standard Port (1/2"-4") Full Port (1/4"-3/8")  
400 WOG  
Threaded Ends  
Blow-Out Proof Stem  
MSS SP-110

## MATERIALS LIST

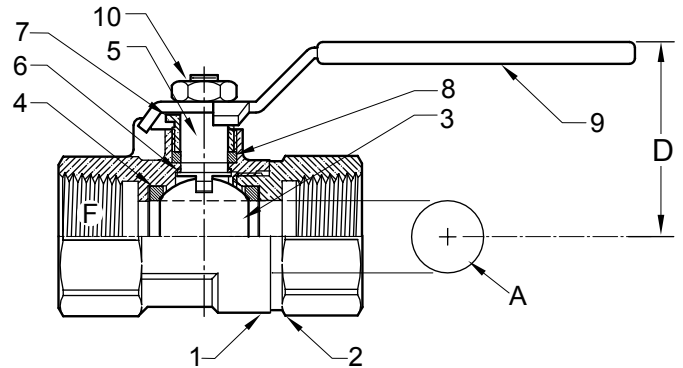
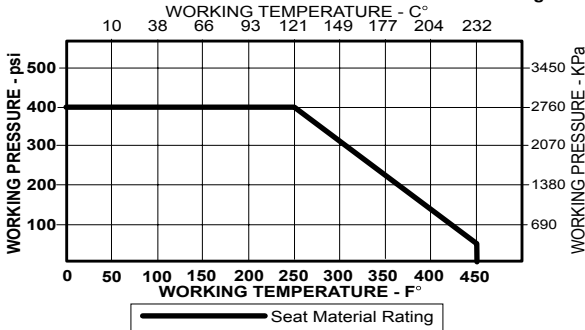
ITEM	PART	MATERIALS	ASTM SPEC.
1	Body	Brass, Forged	B283
2	Tailpiece	Brass, Forged	B283
3	Ball	Brass, CP	B283
		Brass CP, Cast	B584
4	Seat	PTFE	
5	Stem	Brass	B124
6	Thrust Washer	PTFE	
7	Gland Nut	Brass	B16
8	Gland Packing	PTFE	
9	Handle	Steel w/Zinc Plating	Commercial
10	Handle Nut	Brass	B16

\*Not intended for use in potable water.



## PRESSURE - TEMPERATURE DATA

VALVES RATED FOR VACUUM SERVICE TO 29 INCHES Hg.



## DIMENSIONS

	UNITS	1/4" DN6	3/8" DN10	1/2" DN15	3/4" DN20	1" DN25	1-1/4" DN32	1-1/2" DN40	2" DN50	2-1/2" DN65	3" DN80	4" DN100
A (DIA)	INCHES	0.31	0.31	0.39	0.59	0.76	0.98	1.26	1.50	2.00	2.52	2.95
	mm	8	8	10	15	19	25	32	38	51	64	75
B	INCHES	1.65	1.65	2.30	2.55	3.05	3.43	3.76	4.21	5.50	6.22	7.31
	mm	42	42	58	65	78	87	96	107	140	158	186
C	INCHES	0.83	0.83	1.15	1.28	1.53	1.72	1.88	2.11	2.75	3.11	3.66
	mm	21	21	29	33	39	44	48	54	70	80	93
D	INCHES	1.38	1.38	1.50	1.61	2.00	2.17	2.72	2.87	3.66	4.02	4.33
	mm	35	35	38	41	51	55	69	73	93	102	110
E	INCHES	3.31	3.31	3.31	3.31	4.65	4.65	5.28	5.28	7.87	7.87	7.87
	mm	84	84	84	84	118	118	134	134	200	200	200
F	THREAD SIZE	1/4" NPT	3/8" NPT	1/2" NPT	3/4" NPT	1" NPT	1-1/4" NPT	1-1/2" NPT	2" NPT	2-2/1" NPT	3" NPT	4" NPT
Cv		9	9	12	18	40	72	112	161	287	448	645

Note: DN (Diameter Nominal) = Metric equivalent size.

The information presented on this sheet is correct at time of publication. Milwaukee Valve reserves the right to change design and/or materials without notice. For our Installation, Operation and Maintenance Manual and the most current product information go to [www.milwaukeevalve.com](http://www.milwaukeevalve.com).

⚠ State of California Prop 65 **WARNING:** Cancer and Reproductive Harm. For more information visit [www.p65warnings.ca.gov](http://www.p65warnings.ca.gov).



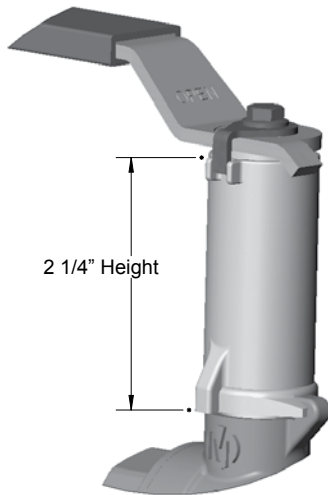
# OPTIONS\*

BA200/250  
BA-475B/485B  
BA480B/BA490B

## XH Extension Handle

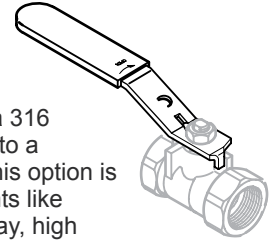
The "XH" stem extension is a simple and effective design. This option is designed for installations where pipe insulation would make standard handles inoperable.

BA480B/490B Series use  
BA481B/491B



## SH Stainless Steel Handle

The "SH" handle option adds a 316 stainless steel handle and nut to a standard bronze ball valve. This option is intended for harsh environments like areas subject to salt water spray, high humidity, harsh cleaning chemicals, etc.



## MS Memory Stop

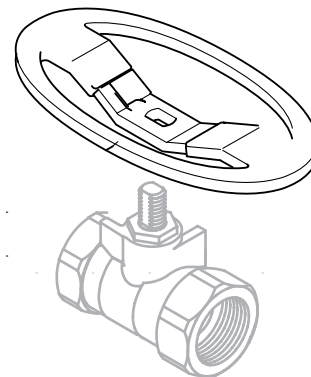
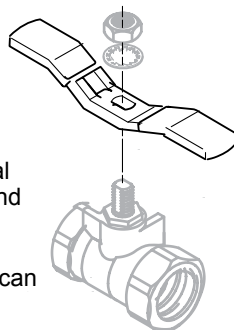
The "MS" Memory Stop provides an adjustable stop when the valve is used in a balancing application. The memory stop can be set to any preset opening point.

## OH Oval Handle

Oval handles can be installed where a standard lever handle might encounter interference from adjoining piping. Oval handles can also prevent accidental valve operations, since they have less projection than a lever handle, and require more turning force to operate. The standard oval handle can be field or factory mounted on BA-200/BA-475B series valves up to 2".

## TH Tee Handle

Tee handles offer the same installation space savings as oval handles, with a slightly shorter end to end dimension. Tee handles require more handle force to operate, so accidental openings can be reduced.



**\*Locking Lever Handle Is Available.**

The information presented on this sheet is correct at time of publication. Milwaukee Valve reserves the right to change design and/or materials without notice. For our Installation, Operation and Maintenance Manual and the most current product information go to [www.milwaukeevalve.com](http://www.milwaukeevalve.com).  
⚠ State of California Prop 65 **WARNING:** Cancer and Reproductive Harm. For more information visit [www.p65warnings.ca.gov](http://www.p65warnings.ca.gov).

