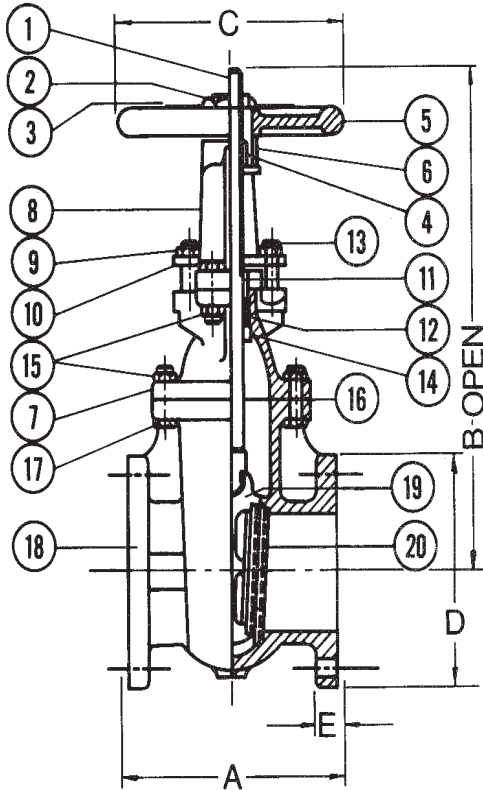




F-2885-A26 2"-12"

Iron Gate Valve for Potable Water
125 SWP -200 WOG †
OS & Y • Solid Wedge Disc
Bolted Bonnet • Flanged Ends
Conforms to: MSS SP-70

Flange shape and drilling to specification ASME/ANSI B16.1 (125 lb.)



| MATERIAL LIST | | | |
|----------------|---------------------|------------------|---------------------|
| No. | PART | MATERIAL | SPECIFICATION |
| 1 | Stem | Steel | ASTM A108-Gr.1020 |
| 2 | Handwheel Nut | Ductile Iron | ASTM A 536 |
| 3 | Name Plate | Aluminum | |
| 4 | Yoke Bushing | Ductile Iron | ASTM A 536 |
| 5 | Handwheel | Cast Iron | ASTM A126, Class B |
| 6 ² | Yoke Bushing Nut | Cast Iron | ASTM A 126, Class B |
| 7 ¹ | Bonnet | Cast Iron | ASTM A 126, Class B |
| 8 ¹ | Yoke | Cast Iron | ASTM A 126, Class B |
| 9 | Gland Follower Nut | Steel | ASTM A307-B |
| 10 | Gland Follower | Ductile Iron | ASTM A 536 |
| 11 | Packing Gland | Cast Iron | ASTM A 126, Class B |
| 12 | Packing | Graphite | |
| 13 | Gland Follower Bolt | Steel | ASTM A307-B |
| 14 | Backseat Bushing | Ductile Iron | ASTM A 536 |
| 15 | Nut | Steel | ASTM A307-B |
| 16 | Body Gasket | Aramid Fiber/NBR | |
| 17 | Bolt | Steel | ASTM A307-B |
| 18 | Body | Cast Iron | ASTM A126, Class B |
| 19 | Wedge | Cast Iron | ASTM A126, Class B |
| 20 | Seat Ring | Cast Iron | ASTM A126, Class B |

¹ Sizes 2" to 3" made with yoke integral with bonnet.
 Sizes 4" through 12" made with separate yoke bolted to bonnet.
² Sizes 2" to 3" only

| DIMENSIONS - INCHES/MILLIMETERS | | | | | | | |
|---------------------------------|-------|--------------|---------------|--------------|--------------|------------|----------------|
| Units | Size | A | B | C | D | E | C _v |
| Inches mm | 2 | 7.00 178 | 15.00 381 | 7.00 178 | 6.00 152 | 0.63 16 | 215 |
| Inches mm | 2 1/2 | 7.50 191 | 16.88 429 | 7.00 178 | 7.00 178 | 0.69 17 | 335 |
| Inches mm | 3 | 8.00 203 | 18.75 476 | 8.00 203 | 7.50 191 | 0.75 19 | 510 |
| Inches mm | 4 | 9.00 229 | 22.75 578 | 10.00 254 | 9.00 229 | 0.94 24 | 945 |
| Inches mm | 5 | 10.00 254 | 27.13 689 | 12.00 305 | 10.00 254 | 0.94 24 | 1525 |
| Inches mm | 6 | 10.50 267 | 30.13 765 | 12.00 305 | 11.00 279 | 1.00 25 | 2250 |
| Inches mm | 8 | 11.50 292 | 40.13 1019 | 14.00 356 | 13.50 343 | 1.13 29 | 4150 |
| Inches mm | 10 | 13.00 330 | 48.25 1226 | 16.00 406 | 16.00 406 | 1.81 46 | 6700 |
| Inches mm | 12 | 14.00 356 | 56.88 1445 | 18.00 457 | 19.00 483 | 1.25 32 | 9925 |

† Non-Shock



The information presented on this sheet is correct at time of publication. Milwaukee Valve reserves the right to change design and/or materials without notice. For our Installation, Operation and Maintenance Manual and the most current product information go to www.milwaukeevalve.com. State of California Prop 65
WARNING: Cancer and Reproductive Harm. For more information visit www.p65warnings.ca.gov.

