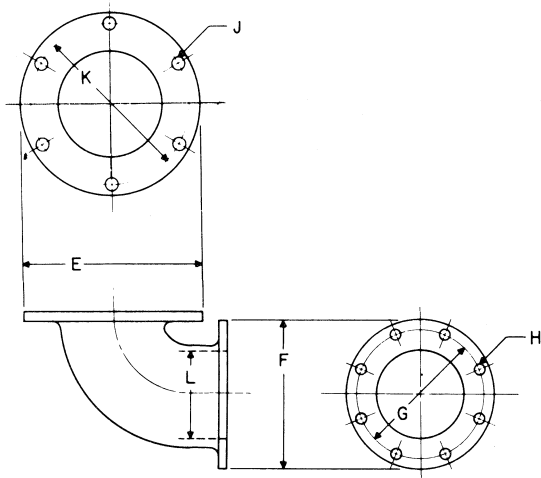
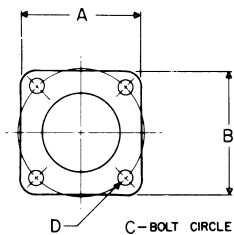


TANK TRUCK FLANGE STANDARDS



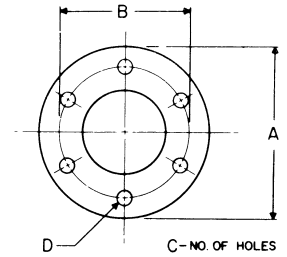
DISCHARGE ELBOW FLANGE *

SIZE	L	E	K	J Dia.	STUDS			H Dia.	BOLTS		
					No.	Dia.	F		G	No.	Dia.
2	2 1/4	7 1/4	6 1/4	9/16	6	1/2	4 1/2	3 3/4	7/16	6	3/8
2 1/2	2 3/8	7 1/4	6 1/4	9/16	6	1/2	5	4 1/4	7/16	6	3/8
3	3	7 1/4	6 1/4	9/16	6	1/2	5 3/8	4 7/8	7/16	8	3/8
4	4	8 1/4	7 1/4	9/16	8	1/2	6 3/8	5 7/8	7/16	8	3/8



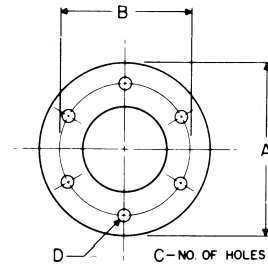
SQUARE FLANGE

SIZE	A	B	C	D
2	4 1/4	4 1/4	4 1/2	9/16
2 1/2	4 3/4	4 3/4	5	9/16
3	4 3/4	4 3/4	5	9/16



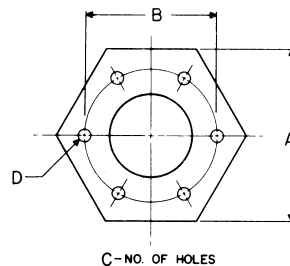
ROUND FLANGE *

SIZE	A	B	C	D
2	5 5/8	4 1/2	4	9/16
2 1/2	6 1/4	5	6	9/16
3	6 1/4	5	6	9/16
4	6 3/4	5 7/8	8	7/16
6	9	8 1/8	8	7/16



OVERWING NOZZLE FLANGE

SIZE	A	B	C	D
1 1/2	3 11/16	3 1/8	6	9/32
2	4 5/8	3 7/8	6	11/32



UNDERWING NOZZLE FLANGE (AND 10086-40)

SIZE	A	B	C	D
2 1/2	4	3 13/16	6	11/32

* NOTE: Discharge Elbow, Square and Round Flanges, except 6 inch size, conform to the National Truck Tank & Trailer Tank Institute Standards.



MILWAUKEE VALVE

The information presented on this sheet is correct at the time of publication. Milwaukee Valve reserves the right to change design, and/or material specifications without notice. For the most current information access www.milwaukeevalve.com

www.milwaukeevalve.com