

MG Series (Customized for Medical Gas Service) 3-PIECE BRONZE BALL VALVE WITH EXTENDED COPPER-TUBE ENDS



MSS SP-110
FED. SPEC. WW-V-35C II, BZ, 1
3-Piece, Full-Port, Bronze Ball Valve
14 600 WOG/150 SWP
Extended-Tube Ends
Inline Repairable

- Ideal for use in medical gas systems, pharmaceutical applications and other applications where valve disassembly prior to installation is undesirable.
- Extended-tube ends can be soldered or brazed into service without disassembly, reducing installation time.
- Full-port design provides high flow with minimal pressure drop.
- 3-piece construction simplifies maintenance and repair.
- Additional standard features include reinforced RPTFE seats and PTFE packing, a blow-out proof stem and a chrome-plated brass ball.
- Customized to meet individual requirements.
- Sizes range from 1/2"– 3".

How to Order Milwaukee Valve Medical Gas Ball Valve

| Series | End Connection (Tube) | Male / Female | Left Side Tube Length (in quarters of an inch) | Right Side Tube Length (in quarters of an inch) | Distance of Gauge Port from Valve Centerline (in quarters of an inch) | Trim Option Stem / Ball | Ext. Options |
|-------------------------|--|--|---|---|---|--|--|
| MG | X | X | XX | XX | XX | X | XXX |
| Design Based on BA350TE | D - 1/2" E - 3/4" F - 1" G - 1 1/4" H - 1 1/2" J - 2" | M - Male F - Female (L) K - Female (K) | 16 - 4 Inches 24 - 6 Inches 32 - 8 Inches 48 - 12 Inches | 16 - 4 Inches 24 - 6 Inches 32 - 8 Inches 48 - 12 Inches | 00 - No port 16 - 4 Inches 24 - 6 Inches | B - Brass / Brass Chrome Pld. S - 316SS / 316SS | A - Assemble Dry C - Chlorine Clean G - Two Gauge Ports O - Oxygen Clean P - Chrome Plated S - Side Gauge Port T - Top Gauge Port OH - Oval Handle LO - Oval Locking Handle SH - Stainless Steel Lever Handle LD - Stainless Steel Locking Lever |

Notes:

Male ends are copper tube type K
Female ends are copper tube type L or type K
Valve handle 4.8 Inches max. from centerline of valve.
Gauge Port 1/8" NPT Standard and is located on right side tube. When 2 ports are specified they are both equal distance from valve centerline
Tube Length is defined as distance from the end of the valve tailpiece to the tube end.
Right side tube is defined as tube on the side under the handle when the valve is in the open position.
When chrome plating is specified the last 4" of the tube extensions will NOT be plated. This is an external plating only.

Part Number Ex. :

MG-DM244517BOPT = 1/2" Tube Connections; Male, Left Side Extension 6 Inches; Right Side Extension 11-1/4 Inches; Gauge Port Dimension 4-1/4 Inches From Valve Centerline; Brass Stem / Brass Chrome Pld. Ball; Oxygen Cleaned / Chrome Plated; Top Gauge Port
MG-DM244800BOS = 1/2" Tube Connections; Male, Left Side Extension 6 Inches; Right Side Extension 12 Inches; No Gauge Port; Brass Stem / Brass Chrome Pld. Ball; Oxygen Cleaned; Side Gauge Port
MG-DM323216BOLDS = 1/2" Tube Connections; Male, Left Side Extension 8 Inches; Right Side Extension 8 Inches; Gauge Port Dimension 4 Inches From Valve Centerline; Brass Stem / Brass Chrome Pld. Ball; Oxygen Cleaned / Stainless Steel Locking Lever; Side Gauge Port

Other tube lengths may be available consult factory before ordering

Specifications:

Approved valves shall be Milwaukee Valve MG Series. Valves shall meet or exceed the requirements of MSS SP-110. Valves shall be 3-piece, bronze body, full-port design and include flexible RPTFE seats and PTFE packing. Valves shall have a blow-out-proof stem. Valves shall be provided from the factory with Type "K" male or Type "L" female end copper-tube extensions. When required, the valves shall be factory-cleaned for oxygen service in conformance with NFPA 99. Each cleaned valve shall include protective caps on the copper-tube ends, and be sealed in protective bags to prevent contamination prior to installation.

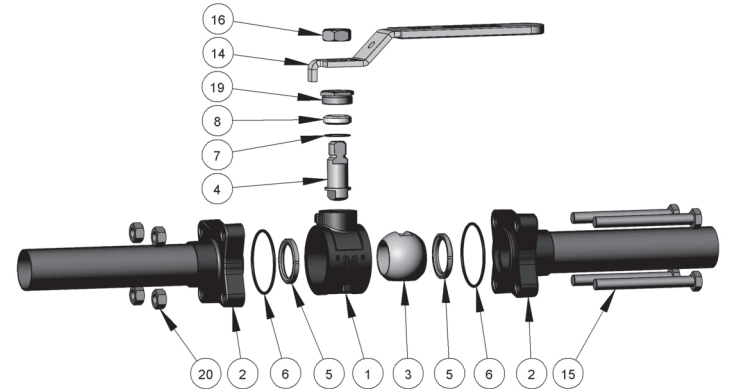
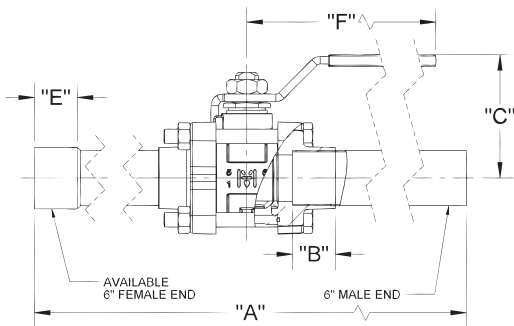
Options Available:

- Male Tube Ends – Type "K" (Standard)
- Female Tube Ends – Type "K" or "L" (-F)
- Cleaned For Oxygen Service In Accordance With NFPA 99 (-OC)
- Stainless-Steel Ball And Stem (-S)
- Stainless-Steel Locking Lever (-LD)
- Oval Handle (-OH)
- Oval Locking Handle (-LO)
- Stem Extension (-XH)
- Stainless-Steel Lever Handle (-SH)
- Gauge Ports (-G)

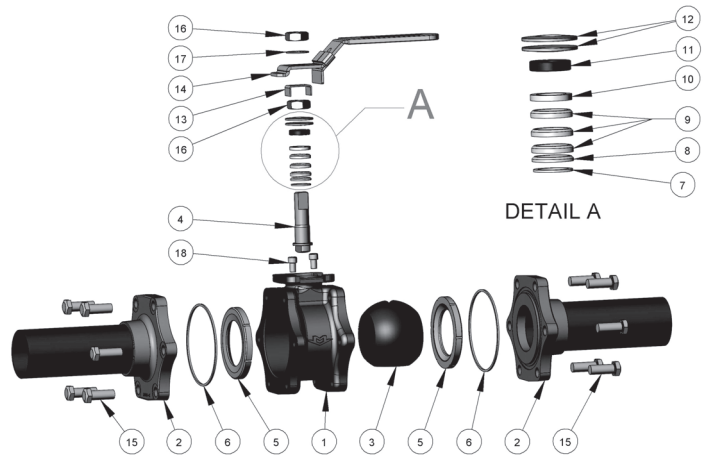
| MATERIAL LIST | | | |
|---------------|------------------------|-------------------------|-------------|
| ITEM | PART | MATERIAL | ASTM SPEC. |
| 1 | BODY | BRONZE | B584 |
| 2 | SIL. BRAZED STUB, MALE | BRONZE, COPPER TUBE | - |
| 3 | BALL | CHROME PLATED BRASS | B16 |
| | | 316 STAINLESS STEEL | A276 |
| 4 | STEM | BRASS | B16 |
| | | 316 STAINLESS STEEL | A276 |
| 5 | SEAT | 15% GLASS RPTFE | - |
| 6 | O-RING | VITON | MIL-R-83248 |
| 7 | WASHER, THRUST | 25% GLASS RPTFE | - |
| 8 | PACKING | | |
| | PACKING, MALE | PTFE | - |
| | PACKING "V" | PTFE | - |
| 10 | PACKING, FEMALE | PTFE | - |
| 11 | PACKING FOLLOWER | BRASS | B16 |
| 12 | WASHER, BELLEVILLE | 17-7 PH S.S. | COMMERCIAL |
| 13 | NUT LOCKER | S.S. 301 | COMMERCIAL |
| 14 | HANDLE ASSY | - | - |
| 15 | HEX HEAD CAP SCREW | SAE, GRADE 8 | COMMERCIAL |
| 16 | NUT, JAM | STEEL, ZINC PLATING | COMMERCIAL |
| 17 | WASHER, INTERNAL TOOTH | STAINLESS STEEL | COMMERCIAL |
| 18 | SOCKET HEAD CAP SCREW | COMMERCIAL CARBON STEEL | ZINC PLATED |
| 19 | GLAND NUT | BRASS | B16 |
| 20 | HEX NUT | COMMERCIAL | SAE 5140 |

Rev. 07/15

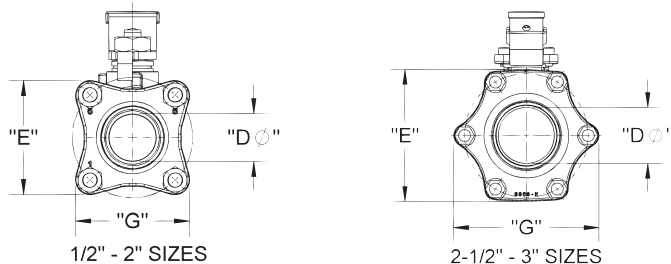
*Not intended for use in potable water.



1/2" THRU 2"



2-1/2" & 3"



Pressure temperature charts containing valve seat and body ratings are available from the factory. Please contact the factory for accurate application data.

