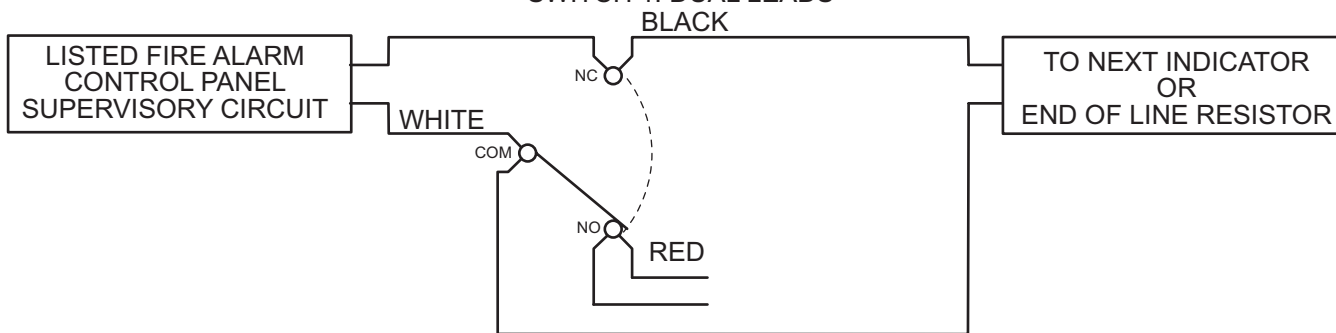
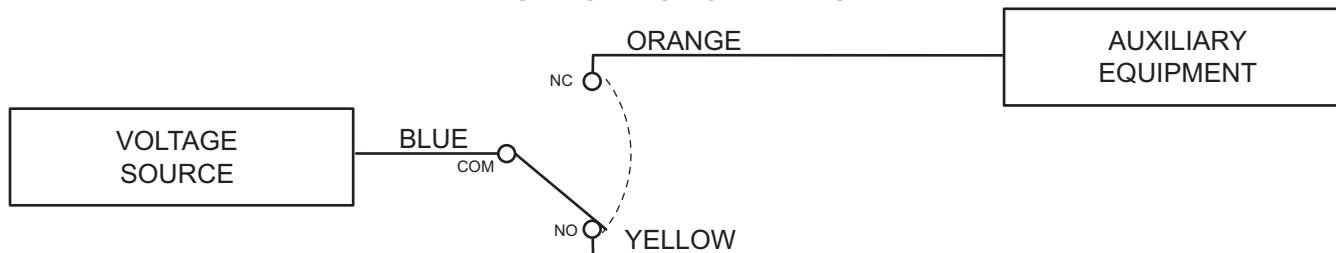


WIRING DIAGRAM

(SWITCH POSITION VALVE FULL OPEN)
SWITCH 1: DUAL LEADS



SWITCH 2: SINGLE LEADS

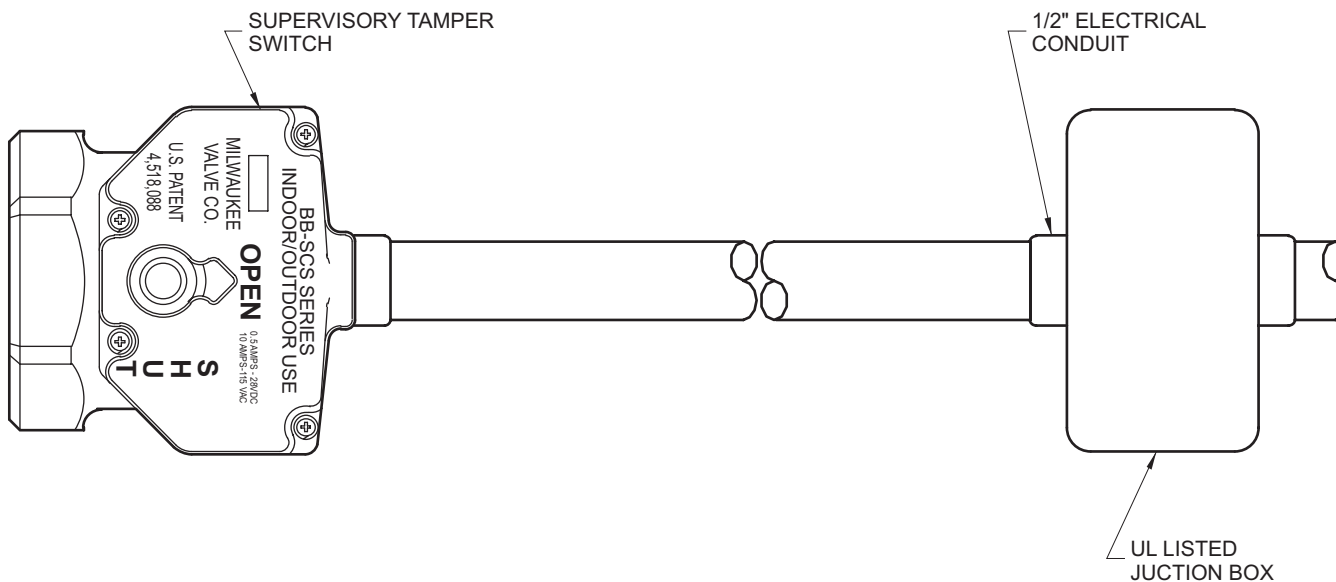


Green Lead provided is ground for switch housing

Switch Rating: 10 AMP/115 VAC
.5 AMP/28 VDC

Cap unused leads with wire nuts and tuck inside junction box (not provided)

NOTE: Valves incorporating supervisory tamper switches are for **indoor and outdoor use.**



The information presented on this sheet is correct at the time of publication. Milwaukee Valve reserves the right to change design, and/or material specifications without notice. For the Installation, Operation and Maintenance Manual (IOM) see the Technical/Service Information section on our website. For the most current information access www.milwaukeevalve.com

