



the pressure equipment safety authority

STATUTORY DECLARATION
Registration of Fittings

0C08213.52

In this space, show facsimile of manufacturer's logo or trademark as it will appear on the fitting.

(3) Trademarks

I, Tim Narel,
 Director of Engineering & Quality Assurance
 (company title, e.g. vice president, plant manager, chief engineer) (must be in a position of authority)
 of Milwaukee Valve Company Also DBA Hammond Valve
 (name of manufacturer)

located at 16550 West Stratton Drive, New Berlin, Wisconsin 53151 USA
 (plant address)

do solemnly declare that the fittings listed hereunder, which are subject to the Safety Codes Act (check one)

- comply with the requirements of ASME B31.3 & B16.18 which specifies the dimensions, (title of recognized North American Standard) materials of construction, pressure/temperature ratings and identification marking of the fittings, or
- are not covered by the provisions of a recognized North American standard and are therefore manufactured to comply with _____ as supported by the attached data which identifies the dimensions, materials of construction, pressure/temperature ratings and the basis for such ratings, and the marking of the fittings for identification.

I further declare that the manufacture of these fittings is controlled by a quality control program which has been verified by the following authority, Lloyd's Register Quality Assurance as being suitable for the manufacture of these fittings to the stated standard. The fittings covered by this declaration, for which I seek registration, are BA350/350S

In support of this application, the following information, calculations and/or test data are attached:

See attached file

Request that BA350/350S be added to the 0C08213.52



DECLARED before me at Milwaukee Valve in the County of Waukesha of State of Wisconsin
 this 16th day of December, 2013
 (Month) (Year)
 (print) PATRICIA S. KRUEGER
 (sign) [Signature]
 (A Commissioner for Oaths) my commission expires June 29, 2014

[Signature]
 (Signature of Applicant)

For Office Use Only

To the best of my knowledge and belief, the application meets the requirements of the Safety Codes Act and CSA Standard B51, Clause 4.2, and is accepted for registration in Category _____

Registration Number: 0C08213.52

Date Registered: MAR 04 2014

Jana R. ZANA HALISAVIJEVIC
 (For the Administrator/Chief Inspector of Alberta)
 Expiry Date: Jan 31, 2013

BA-350/350S

1/2"-3"

**BRONZE BALL VALVE
THREE-PIECE, FULL-PORT
600 WOG
SOLDERED ENDS
BLOW-OUT PROOF STEM**

MSS SP-110

MATERIALS LIST

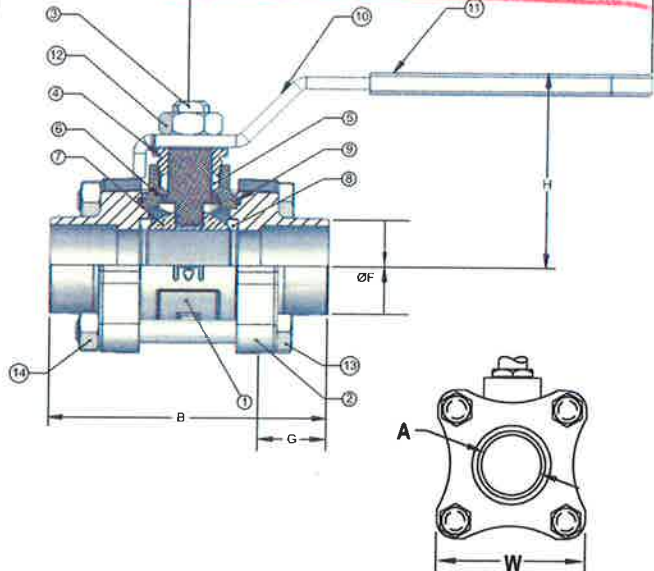
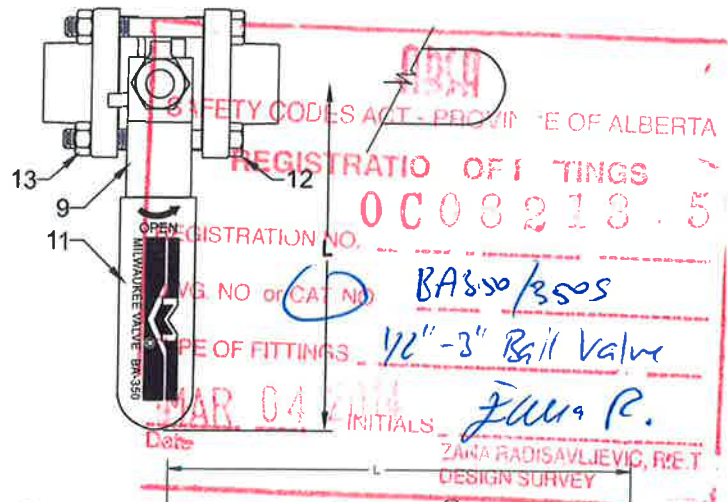
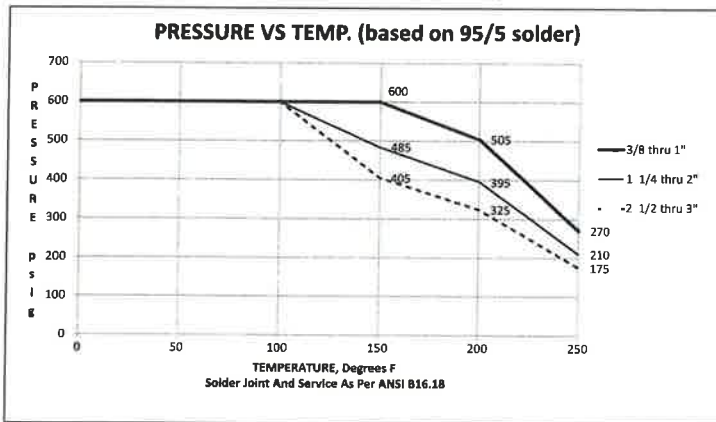
ITEM	PART	MODEL	MATERIAL	ASTM SPEC.
1	Body	350&350S	Bronze	B584
2	End Cap	350&350S	Bronze	B584
3	Stem	350	Brass	B16
		350S	316 Stainless Steel (1)	A276
4	Packing Nut	350&350S	Brass	B16
5	Packing	350&350S	PTFE	
6	Thrust Washer	350&350S	25% Glass RPTFE	
7	Ball	350	Chrome Plated Brass	B16
		350S	316 Stainless Steel (1)	A276
8	Seat	350&350S	15% Glass RPTFE	
9	O-ring	350&350S	Viton	
10	Handle	350&350S	Zinc Plated Steel	
11	Handle Grip	350&350S	Vinyl	
12	Handle Nut	350&350S	Zinc Plated Steel	
13	Bolt	350&350S	Zinc Plated Steel	
14	Nut	350&350S	Zinc Plated Steel	

(1) Ball and stem are stainless for 350S

PRESSURE and TEMPERATURE CHART

VALVES RATED FOR VACUUM SERVICE TO 29 INCHES Hg.

— Seat Material Rating
— Solder Joints per ANSI B16.18



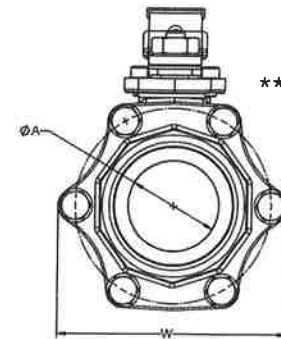
DIMENSIONS

	UNITS	1/2"	3/4"	1"	1 1/4"	1 1/2"	2"	2 1/2"	3" *
		DN15	DN20	DN25	DN32	DN40	DN50	DN65	DN80
A	INCHES	0.50	0.75	1	1.25	1.50	2	2.50	2.50
	mm	13	19	25	32	38	51	64	64
B	INCHES	2.80	3.44	3.87	4.75	5.25	6.10	6.94	6.94
	mm	72	88	94	121	134	153	176	176
H	INCHES	1.95	2.26	2.44	2.80	3.12	3.58	4.09	4.09
	mm	50	57	62	71	79	91	104	104
L	INCHES	3.88	4.75	4.75	6.50	7.38	7.38	8	8
	mm	99	121	121	165	187	187	203	203
W	INCHES	1.92	2.12	2.41	2.94	3.13	3.86	6.31	6.31
	mm	49	56	62	76	80	98	160	160
Cv		17	31	60	110	185	360	390	390

* 3" is Standard Port.

** 2 1/2" & 3" Only.

Rev. 10



The information presented on this sheet is correct at the time of publication. Milwaukee Valve reserves the right to change design, and/or material specifications without notice. For the Installation, Operation and Maintenance Manual (IOM) see the engineering section on our website. For the most current information access www.milwaukeevalve.com

